

# Electric Pump HYDRAULIC PE60 SERIES

## Post Tensioning 0,9 l/min Two-Speed

Compact, light weight pump.  
Excellent choice for rugged  
applications and low voltage  
starting.

PUMPS

- Long, trouble free life in the most demanding work environments. For operating single- or double-acting cylinders, or stressing jacks.
- Powered by 0,84 kW, 220 volt, 60/50 Hz single phase motor. Starts under load, even at the reduced voltages at construction sites.
- Optional fan-driven external oil cooler includes rollover guard.
- Insulated carrying handle.
- Integral 102 mm fluid-filled pressure gauge with steel bezel complies with ASME B40.1 Grade A. With 0 to 700 bar pressure range in 7 bar increments.
- Sealed 4,34 l (usable) reservoir. Reservoir drain port is standard.
- Standard oil level sight gauge for accurate oil level monitoring.



PE604T  
w/cooler

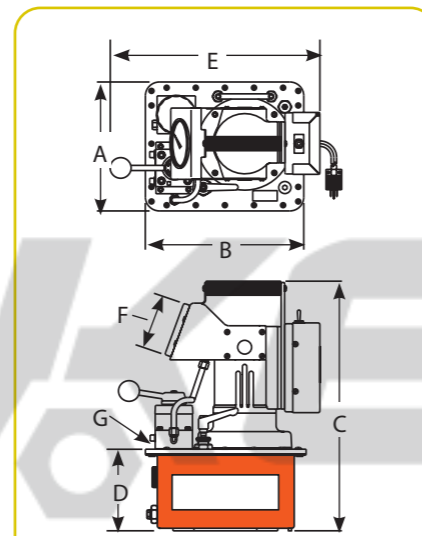
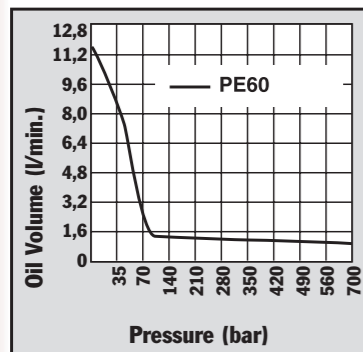


PE604T

700 bar  
SR  
LR19814

contaminants from circulating oil to maximize pump, valve and cylinder/tool life.

- External spin-on filter removes



The PE60 used for pre-stressing.



PUMPS

Pump No.	Max. Pressure Output bar	rpm	Noise level Idle and 700 bar (dBA)	Amp Draw at 700 bar (A)	Oil Del. (l/min at...)				A (mm)	B (mm)	C (mm)	D (mm)	E (mm)	F (mm)	G (in)	Prod. Wt. w/Oil (kg)
					0 bar	50 (50)	350 bar	700 bar								
PE604T -220	700	12.000	80/85	13	11,3	7,1	1,2	0,9	263,5	301,6	457,2	152,4	381	101,6	3/8 NPTF	27,2
PE604PT -220	700	12.000	80/85	13	11,3	7,1	1,2	0,9	263,5	301,6	457,2	152,4	381	101,6	3/8 NPTF	27,7

**NOTE:** Unloading pressure is 70 bar.  
Consult factory for PE60 pump models with other control and valve options.

Description	Order No.	Valve Type	Valve No.	Valve Function	Control Switch	Motor	Reservoir Usable (l)
Single-Acting, Spring Seat, Stressing Jack or Double-Acting	PE604T	4-Way 3-position	9500	Advance Hold Return	On/Off/Pulse	0,84 kW, 220 VAC 50 Hz, Single Phase	4,34
Single-Acting or Double-Acting Power Seat, Stressing Jacks Only	PE604PT	4-Way 3-position	9628 Model C	Advance Hold Sequenced Return	On/Off/Pulse	0,84 kW, 220 VAC 50 Hz, Single Phase	4,34

**OPTIONAL**

**252511:** Oil cooler kit for PE604T or PE604PT, 115 VAC. Weight 2,7 kg.      **252512:** Oil cooler kit for PE604T or PE604PT, 220 VAC. Weight 2,7 kg.

