

Locking Collar CYLINDER RL SERIES- ALUMINUM

55 & 100 Ton
Single- Acting,
Spring-Return

Positive mechanical lock to support load.

CYLINDERS



Locking collar feature permits non-hydraulic support of load.



RA1006L

- Support lifted load for extended periods of time with hydraulic pressure released.
- At half the weight of steel cylinders of comparable capacity, aluminum cylinders are ideal when portability is a key factor.
- Feature carrying handle.

ASME B30.1
700 BAR



RA556L

- Compact design - for use where space is limited
- Locking collar designed to support lifted load for extended periods of time with hydraulic pressure released
- Integral tilt saddle standard improves performance under side load
- Overflow port ("weep hole") prevents piston from being overextended under load.

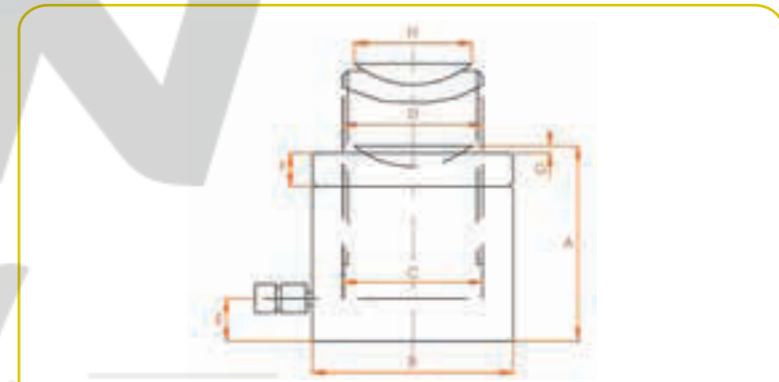
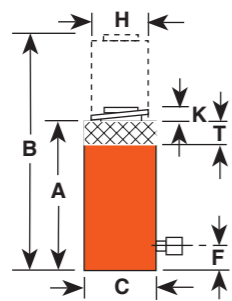
- Special coating improves corrosion and abrasion resistance.
- Cylinders come standard with hardened caps. Optional swivel caps reduce the effects of off-center loading Single-Acting Locking Collar Cylinders
- Equipped with 3/8" NPTF male 1/2 couplers

Pancake Cylinders LOCKING COLLAR RC SERIES

55 & 620 Ton
Single- Acting,
Load-Return

Positive mechanical lock to support load.

CYLINDERS



Cyl. Cap. (tons)	Stroke (mm)	Order No.	Oil Cap. (cm ³)	A Retracted Ht. (mm)	B Extended Ht. (mm)	C Outside Dia. (mm)	F Base to Port (mm)	H Piston Rod Dia. (mm)	K Piston Rod Protrusion (mm)	T Nut Thickness (mm)	Bore Dia. (mm)	Cylinder Effective Area (cm ²)	Metric Tons at 700 bar	Weight (kg)
55	155,5	RA556L	1.109	317,5	473,1	133,4	34,9	82,6	12,7	38,1	95,3	71,2	50,1	13,4
100	158,8	RA1006L	2.116	339,7	498,5	187,3	30,2	114,3	6,4	38,1	130,2	133,0	93,5	29,1

Note: Supported loads not to exceed the rated capacity of the cylinders. Not intended to support additional dynamic loads, such as those applied by moving vehicles.

Cyl. Cap. (tons)	Stroke (mm)	Order No.	Oil Cap. (cm ³)	A Retracted Height (mm)	B Outside Dia. (mm)	C Piston Rod Dia. (mm)	D Bore Dia. (mm)	E Base to Port (mm)	F Nut Thickness (mm)	G Swivel Cap Protrusion (mm)	H Swivel Cap Dia. (mm)	Weight. (kg)
55	50	RC0552P	355	125	120	95	95	19	21	6	92	11
100	45	RC1002P	597	137	165	130	130	21	31	8	126	22
155	45	RC1552P	905	148	205	160	160	27	38	9	148	39
240	45	RC24022P	1.413	155	255	200	200	28	40	10	157	59
380	45	RC3802P	2.208	178	320	250	250	35	50	11	240	110
620	45	RC6202P	3.618	192	405	320	320	38	60	10	295	193